



Introducing the

Paragon One *Evolution*



An open-flame gas fire with an extra wide and deep fuel bed

Charlton & Jenrick^{LTD}

Best of British fires, fireplaces & stoves

Fits most chimneys

Paragon One Evolution

A new and improved open-flame fire designed to fit most chimneys and class II flues

Create a lovely warm living area with this open-flame gas fire that gives an impressive 4.4kW output and over 63% efficiency.

- 4.4kW output Natural Gas fire
- 63.3% efficiency
- Realistic coal fuel bed
- Available in Manual, slide or remote control
- Compatible with a large range of C&J trims, frets and fascias
- Shown to the right with the Chrome Elite Fascia in the Aylesbury Portuguese Limestone surround.



Paragon One Evolution

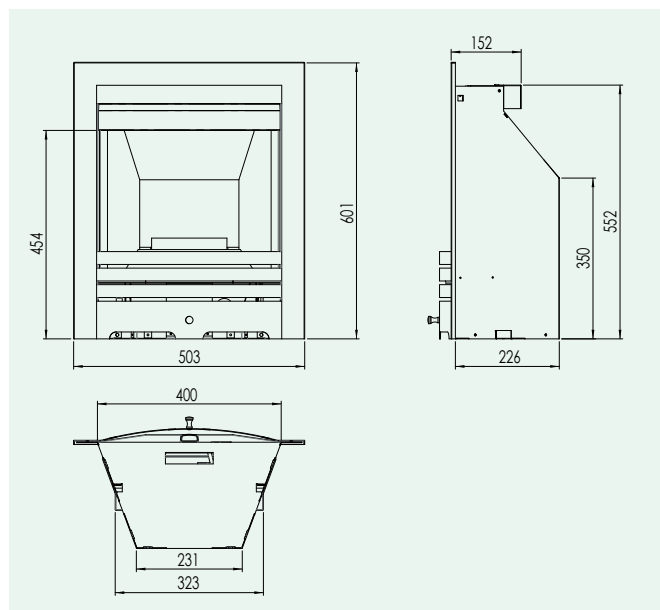
Heat Inputs, Outputs and Efficiency

High/Low Setting	NG Input (kW)	Net Efficiency (%)	NG Output (up to) (kW)
H	7.7	63.3	4.4
L	2.4	—	—

EEI Class: F

Control Type: Manual, Slide and Remote

All the above are tested to BS 7977-A1:2013



Charlton & Jenrick^{LTD}

Best of British fires, fireplaces & stoves



Paragon Fires

Charlton & Jenrick Ltd, Unit D,
Stafford Park 2, Telford, Shropshire TF3 3AR
Tel: 0845 519 5991
e-mail: sales@charltonandjenrick.co.uk



A Great British Product

www.charltonandjenrick.co.uk



All Paragon gas fires are manufactured under a BS EN ISO 9001 quality system (registration number 5195), which covers all areas of product design, development, manufacture and service.