

# CAPITAL — STOVES —

LEADING SUPPLIER OF LUXURY STOVES



ECO  
2022

# stove package deal

Package includes a Capital Classic Oak Beam, Brick Chamber, Stove, Granite Hearth and Installation Kit. Please speak to your Capital retailer for further information.



SPEAK TO  
YOUR RETAILER  
FOR MORE  
INFORMATION  
ABOUT  
OUR STOVE  
PACKAGES

# CAPITAL

## — STOVES —

### ECO 2022 COMPLIANT STOVES

Bassington Compact <b>NEW</b>	<b>8-9</b>
Woodrow 4 Eco <b>NEW</b>	<b>10-11</b>
Woodrow 5 Eco <b>NEW</b>	<b>12-13</b>
Verena Eco <b>NEW</b>	<b>14-15</b>
Avebury Eco	<b>16-17</b>
Bassington Eco	<b>18-19</b>
Bassington Eco Skirted	<b>20-21</b>
Bassington Eco Baseline	<b>22-23</b>
Scene Eco	<b>24-25</b>
Sigma Eco	<b>26-27</b>
Vega Edge 200SL Eco	<b>28-29</b>
Panamera Eco	<b>30-33</b>
Savona Eco Inset	<b>34-35</b>
Ashbrook Eco Inset	<b>36-37</b>

### GAS STOVES

Bassington <b>NEW</b>	<b>38-39</b>
Vega BF/CF	<b>40-41</b>

### ELECTRIC STOVES

Bassington etronic <b>NEW</b>	<b>42-43</b>
SLE42s etronic 3D	<b>44-45</b>

### STOVE ACCESSORIES

Glass Hearths	<b>46-47</b>
Slate & Stone Chambers	<b>48-49</b>
Brick Chambers	<b>50-51</b>
Geocast Beams	<b>52-59</b>
Accessories	<b>60-61</b>

### STOVE INFORMATION

Capital Lifetime Warranty	<b>62</b>
Technical Information	<b>63</b>

# ECO2022

## COMPLIANT STOVES

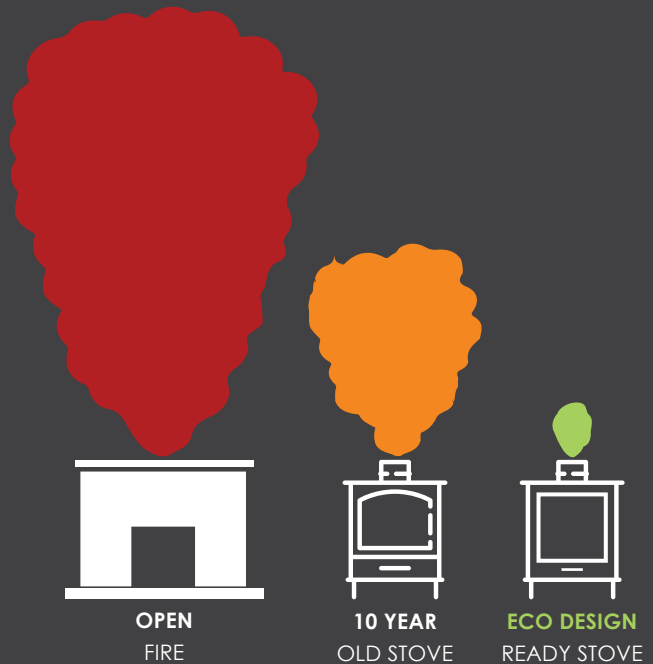
DEFRA, the Department of the Environment, Fisheries and Rural Affairs, included wood burning stoves in their 2019 Clean Air Strategy. Their aim by doing this is to reduce the amount of harmful emissions that affect air quality by ensuring stove manufacturers improve the performance and efficiency of their stoves.

By January 2022 it will be law that all solid fuel appliances sold after that date have to be Eco Design Compliant. To be Eco Design Compliant, stoves will need to significantly improve emissions when compared to current stoves on the market or to open fires.

Capital Stoves displaying the **Eco 2022** logo shown in this brochure, have been tested in an independent approved test house and have achieved the requirements of Eco Design Regulations. Registration has also been made with **HETAS** (Hetas is a national organisation working for consumer safety and the wider public interest in safe, efficient and environmentally responsible use of biomass and other solid fuels) and **DEFRA**.

A requirement of Eco Design Regulations is that all gas and multi fuel appliances display an energy rating. All Capital Eco 2022 Ready Stoves have A or A+ ratings.

At Capital we launched our first range of fully compliant Eco 2022 Ready Stoves in 2018. We were proud to do this knowing we were one of the first companies to have stoves that were already achieving the necessary



standards. Look out for the **Eco 2022 logo**, complemented by the **HETAS** and **DEFRA** registrations as shown below and throughout the brochure. These stoves not only reduce the level of harmful air pollutants but they also run more efficiently using less fuel, so will cost less to operate.

**Improving our carbon footprint is a key part of our business philosophy. Vital to that strategy is our continued work on Eco 2022 Ready Stoves and our partnership with the National Forest.**











THE NATIONAL  
FOREST





# MAKE YOUR MARK. PLANT A TREE.

We are excited to have teamed up with the National Forest, one of Britain's biggest environmental projects, covering 200 square miles of Leicestershire, Derbyshire, and Staffordshire.

**For every Capital Eco Stove that is purchased, you are helping to grow the National Forest and create woodland habitats that will benefit people and wildlife for years to come. Simply look out for the National Forest logo throughout this brochure.**

In 27 years, the National Forest has grown the region's woodland cover from 6% to 21%. By supporting this initiative, you're helping us to make habitats for wildlife and grow a healthier, happier Britain. For more information about the National Forest please visit [www.nationalforest.org](http://www.nationalforest.org)



**Designed for the  
smaller room or  
fireplace**





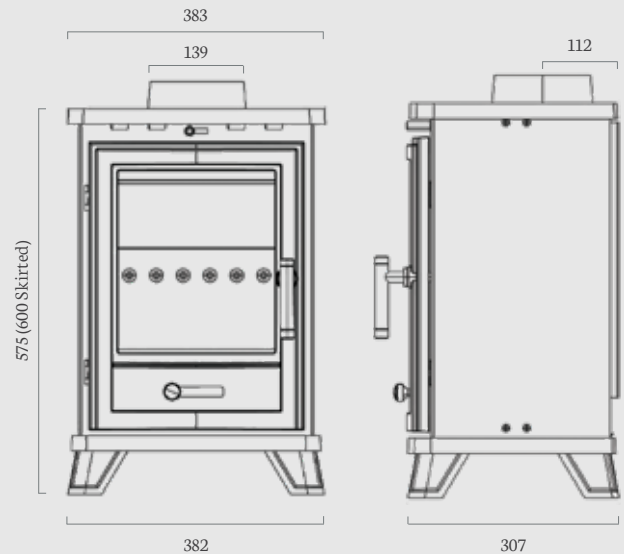


## Bassington Compact



The Bassington Compact is a highly efficient, multifuel stove from our Eco 2022 range specifically designed for the smaller room or fireplace opening. Defra approved for burning wood in a smoke-controlled area, the Bassington Compact is constructed from Cast Iron for durability and maximum heat. The Bassington Compact is available with Standard, Skirted or Baseline legs.

Nominal Heat Output & Range:	5kW
Efficiency:	Up to 82%
Flue Exit:	Top or Rear
Flue Size:	125mm
Ventilation:	Not normally required (see page 63)
Suitable for a Light Duty Hearth:	No



Clearance to combustibles is 600mm, clearance to non-combustibles is 50mm. Please refer to the installation instructions for more info.

**Designed for the  
smaller room or  
fireplace**





lifetime  
warranty

A

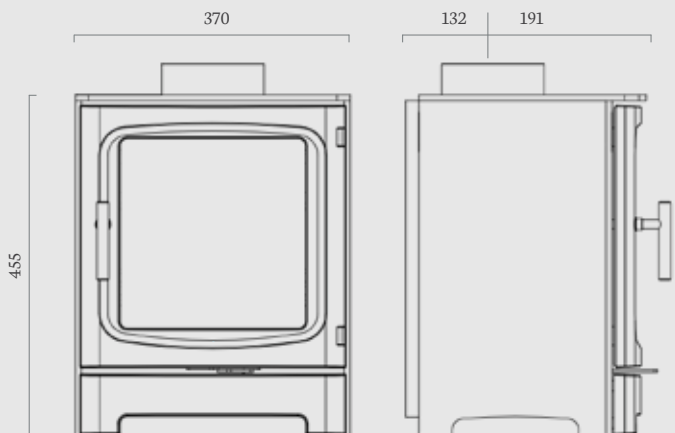
## Woodrow 4 Eco Wood Only



The Woodrow 4 Eco is one of the latest and most exciting additions to our Eco 2022 stove range, a compact wood only log burner designed for smaller rooms or narrow chimney openings. Constructed from steel and cast iron for durability and maximum

heat, this stove features an airwash system for maintaining an optimal view of the flames and is supported by the Capital Lifetime Warranty.

Nominal Heat Output & Range:	4kW
Efficiency:	Up to 76.4%
Flue Exit:	Top
Flue Size:	125mm
Ventilation:	Not normally required (see page 63)
Suitable for a Light Duty Hearth:	No



Clearance to combustibles is 600mm, clearance to non-combustibles is 50mm. Please refer to the installation instructions for more info.

Designed for the smaller room or fireplace

lifetime warranty





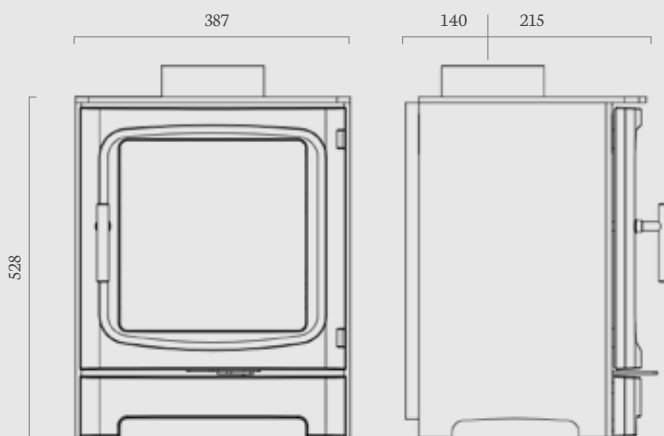


## Woodrow 5 Eco Wood Only



Slightly larger than the Woodrow 4 Eco stove and therefore offering a bigger glass picture window, the Woodrow 5 Eco is another exciting addition to our Eco 2022 stove range. Constructed from steel and cast iron for durability and maximum heat, this stove features an airwash system for maintaining an optimal view of the flames and is supported by the Capital Lifetime Warranty.

Nominal Heat Output & Range:	5kW
Efficiency:	Up to 82.6%
Flue Exit:	Top or Rear
Flue Size:	125mm
Ventilation:	Not normally required (see page 63)
Suitable for a Light Duty Hearth:	Yes



Clearance to combustibles is 600mm, clearance to non-combustibles is 50mm.

Please refer to the installation instructions for more info.



Supreme Leg

Prime Leg

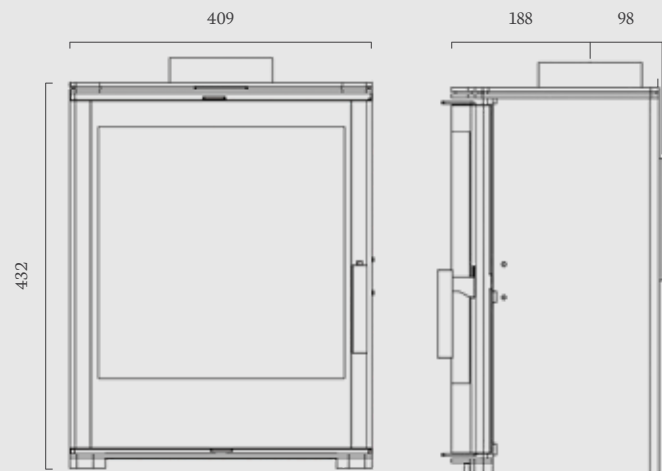
## Verena Eco Wood Only



The Verena Eco stove is sleek, compact and highly efficient. With a curved body and matching glass, you're assured an excellent view of the flickering flames, whilst it is supported by the Capital Lifetime Warranty for complete peace of mind.

The Verena is DEFRA approved for burning wood in a smoke control area, boasting maximum performance and a contemporary look – giving you the power to completely transform a room!

Nominal Heat Output & Range:	4.9kW
Efficiency:	Up to 75.4%
Flue Exit:	Top
Flue Size:	125mm
Ventilation:	Not normally required (see page 63)
Suitable for a Light Duty Hearth:	Only with Supreme Legs



See page 33 for Prime and Supreme Leg dimensions. Clearance to combustibles to the top is 400mm and 300mm to the sides, clearance to non-combustibles is 50mm. Please refer to the installation instructions for more info.





*Designed for the smaller room or fireplace*

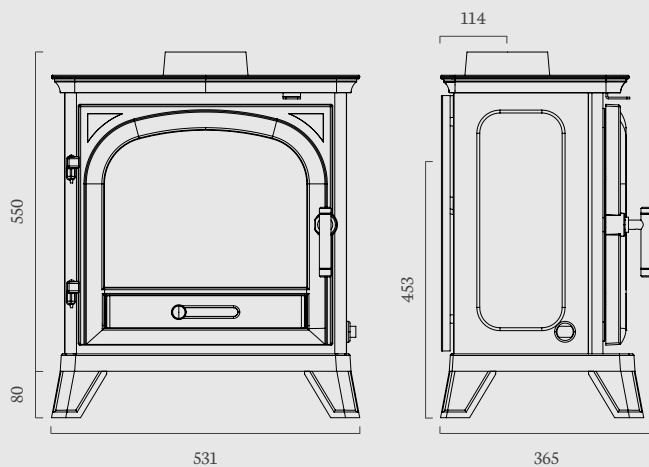


**A**

The Avebury Eco is a highly efficient, multi fuel stove from our Eco 2022 stove range. DEFRA approved for burning wood in a smoke control area, the Avebury is constructed from cast iron for durability and maximum heat.

Featuring a large, arched glass picture window and airwash system for maintaining an optimal view of the flames, the Avebury is supported by the Capital Lifetime Warranty and is suitable to be fitted on a light duty hearth as pictured here with a 20mm polished granite hearth and rear flue exit.

Nominal Heat Output & Range:	5kW (2.5-8kW)
Efficiency:	Up to 84%
Flue Exit:	Top or Rear
Flue Size:	125mm
Ventilation:	Not normally required (see page 63)
Suitable for a Light Duty Hearth:	Yes



*Clearance to combustibles is 600mm, clearance to non-combustibles is 50mm. Please refer to the installation instructions for more info.*







A+



lifetime  
warranty





BASSINGTON ECO STOVE RECOMMENDED #1 BEST  
WOOD BURNING STOVE BY THE DAILY TELEGRAPH\*



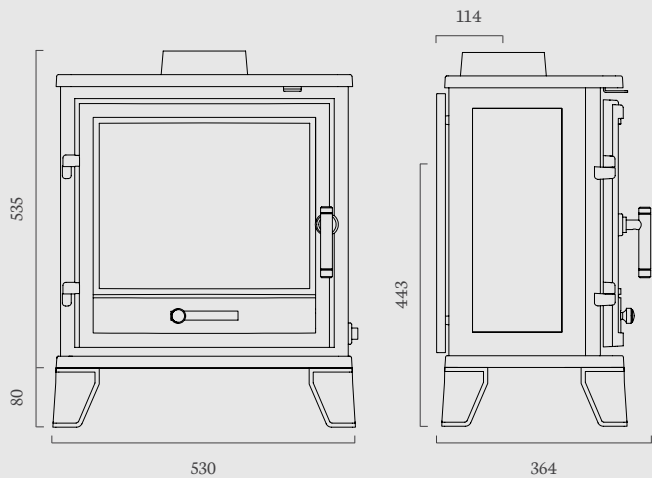
Also available in Warm White Enamel

## Bassington Eco



The Bassington Eco is a highly efficient, multi fuel stove from our Eco 2022 stove range. DEFRA approved, the Bassington is constructed from cast iron for durability and maximum heat and is supported by the Capital Lifetime Warranty. Featuring a large glass picture window and airwash system, the Bassington is shown here with the Appledore 54" Aegean Limestone mantel and Riven Slate chamber.

Nominal Heat Output & Range:	5kW (2.5-8kW)
Efficiency:	Up to 84%
Flue Exit:	Top or Rear
Flue Size:	125mm
Ventilation:	Not normally required (see page 63)
Suitable for a Light Duty Hearth:	Yes



Clearance to combustibles is 600mm, clearance to non-combustibles is 50mm. Please refer to the installation instructions for more info.



lifetime  
warranty







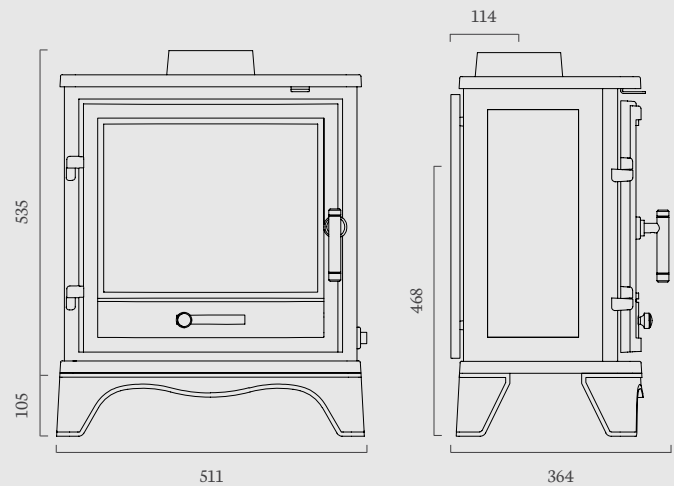
Also available in Warm White Enamel

## Bassington Eco Skirted



The Bassington Eco is a highly efficient, multi fuel stove from our Eco 2022 stove range. DEFRA approved for burning wood in a smoke control area, it is constructed from cast iron for durability and maximum heat. Featuring a large glass picture window and airwash system for maintaining an optimal view of the flames, the Bassington is supported by the Capital Lifetime Warranty and shown to the left with the Helston 53" Corinthian Stone mantel and Pompeii brick chamber.

Nominal Heat Output & Range:	5kW (2.5-8kW)
Efficiency:	Up to 84%
Flue Exit:	Top or Rear
Flue Size:	125mm
Ventilation:	Not normally required (see page 63)
Suitable for a Light Duty Hearth:	Yes



Clearance to combustibles is 600mm, clearance to non-combustibles is 50mm. Please refer to the installation instructions for more info.



lifetime  
warranty





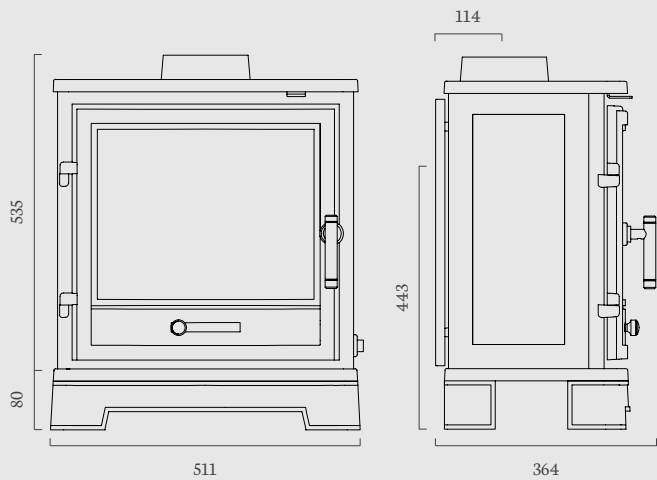
Also available in Warm White Enamel

## Bassington Eco Baseline



The Bassington Eco is a highly efficient, multi fuel stove from our Eco 2022 stove range. DEFRA approved, the Bassington is constructed from cast iron for durability and maximum heat and is supported by the Capital Lifetime Warranty. Featuring a large glass picture window and airwash system, the Bassington Eco Baseline is pictured to the left inside a black reeded chamber.

Nominal Heat Output & Range:	5kW (2.5-8kW)
Efficiency:	Up to 84%
Flue Exit:	Top or Rear
Flue Size:	125mm
Ventilation:	Not normally required (see page 63)
Suitable for a Light Duty Hearth:	No



Clearance to combustibles is 600mm, clearance to non-combustibles is 50mm. Please refer to the installation instructions for more info.





lifetime  
warranty



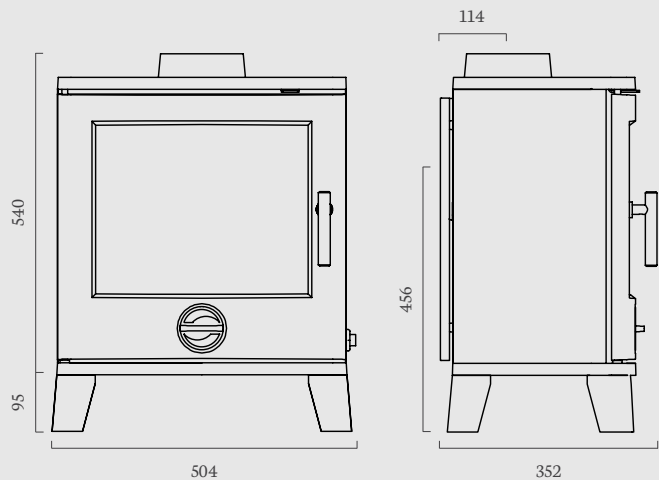


## Scene Eco



The Scene Eco is a highly efficient, multi fuel stove from our Eco 2022 stove range. DEFRA approved, the Scene Eco is constructed from cast iron for durability and maximum heat. Featuring a large glass picture window and airwash system, this stove is also supported by the Capital Lifetime Warranty. Pictured here inside the Rusty Slate chamber.

Nominal Heat Output & Range:	5kW (2.5-8kW)
Efficiency:	Up to 84%
Flue Exit:	Top or Rear
Flue Size:	125mm
Ventilation:	Not normally required (see page 63)
Suitable for a Light Duty Hearth:	Yes



Clearance to combustibles is 600mm, clearance to non-combustibles is 50mm. Please refer to the installation instructions for more info.



lifetime  
warranty





SIGMA ECO STOVE RECOMMENDED #3 BEST WOOD  
BURNING STOVE BY THE DAILY TELEGRAPH\*

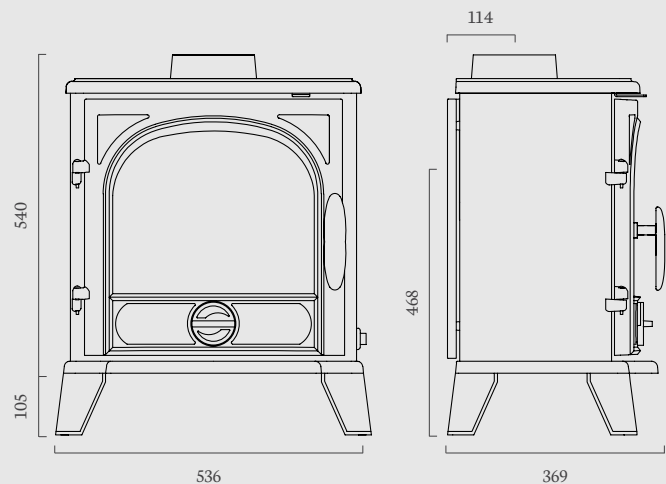


Sigma Eco



The Sigma Eco is a highly efficient, multi fuel stove from our Eco 2022 stove range. DEFRA approved, the Sigma Eco is supported by the Capital Lifetime Warranty and is constructed from cast iron for durability and maximum heat. Featuring a large, arched glass picture window and airwash system. The Sigma Eco is pictured to the left with the Geocast 48" Rustic beam in Natural Oak.

Nominal Heat Output & Range:	5kW (2.5-8kW)
Efficiency:	Up to 84%
Flue Exit:	Top or Rear
Flue Size:	125mm
Ventilation:	Not normally required (see page 63)
Suitable for a Light Duty Hearth:	Yes



Clearance to combustibles is 600mm, clearance to non-combustibles is 50mm. Please refer to the installation instructions for more info.





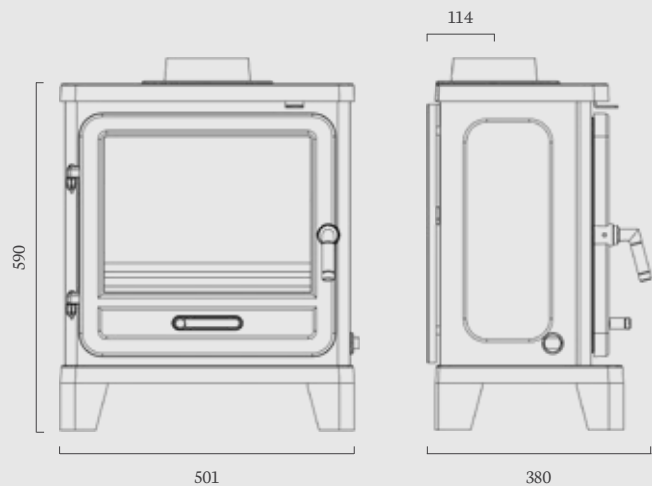
Also available in Warm White Enamel

## Vega Edge 200SL Eco



The Vega Edge 200SL Eco is a highly efficient, multi fuel stove from our Eco 2022 stove range. DEFRA approved, the Vega Eco is supported by the Capital Lifetime Warranty and is constructed from cast iron for durability and maximum heat. Featuring a large glass picture window and airwash system, the Vega Eco is shown to the left with the 48" Geocast Classic Antique Oak beam and Riven Slate chamber.

Nominal Heat Output & Range:	5kW (2.5-8kW)
Efficiency:	Up to 84%
Flue Exit:	Top or Rear
Flue Size:	125mm
Ventilation:	Not normally required (see page 63)
Suitable for a Light Duty Hearth:	Yes



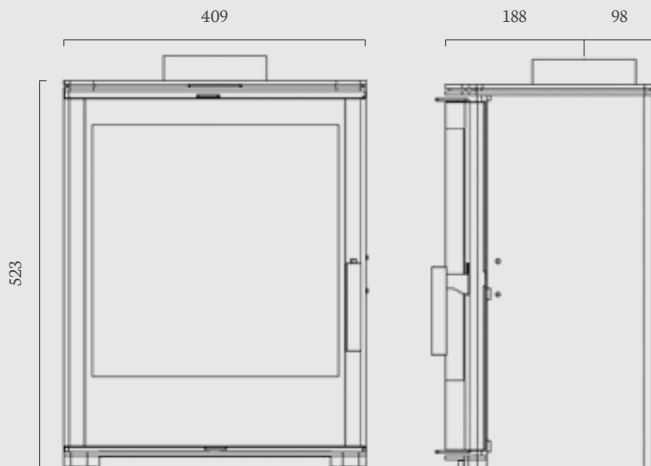
Clearance to combustibles is 600mm, clearance to non-combustibles is 50mm. Please refer to the installation instructions for more info.



The Panamera Eco is a highly efficient, superior stove from our Eco 2022 stove range. DEFRA approved for burning wood in a smoke control area, the Panamera Eco is constructed from steel for contemporary styling and efficient heating.

Featuring a large, curved glass picture window and airwash system for maintaining an optimal view of the roaring flames, the Panamera Eco is supported by the Capital Lifetime Warranty and is also available with two additional leg options, as seen on pages 32 and 33.

Nominal Heat Output & Range:	4.9kW
Efficiency:	Up to 84%
Flue Exit:	Top or Rear
Flue Size:	125mm
Ventilation:	Not normally required (see page 63)
Suitable for a Light Duty Hearth:	Only with Supreme Legs



*Clearance to combustibles to the top is 400mm and 300mm to the sides, clearance to non-combustibles is 50mm. Please refer to the installation instructions for more info.*





A



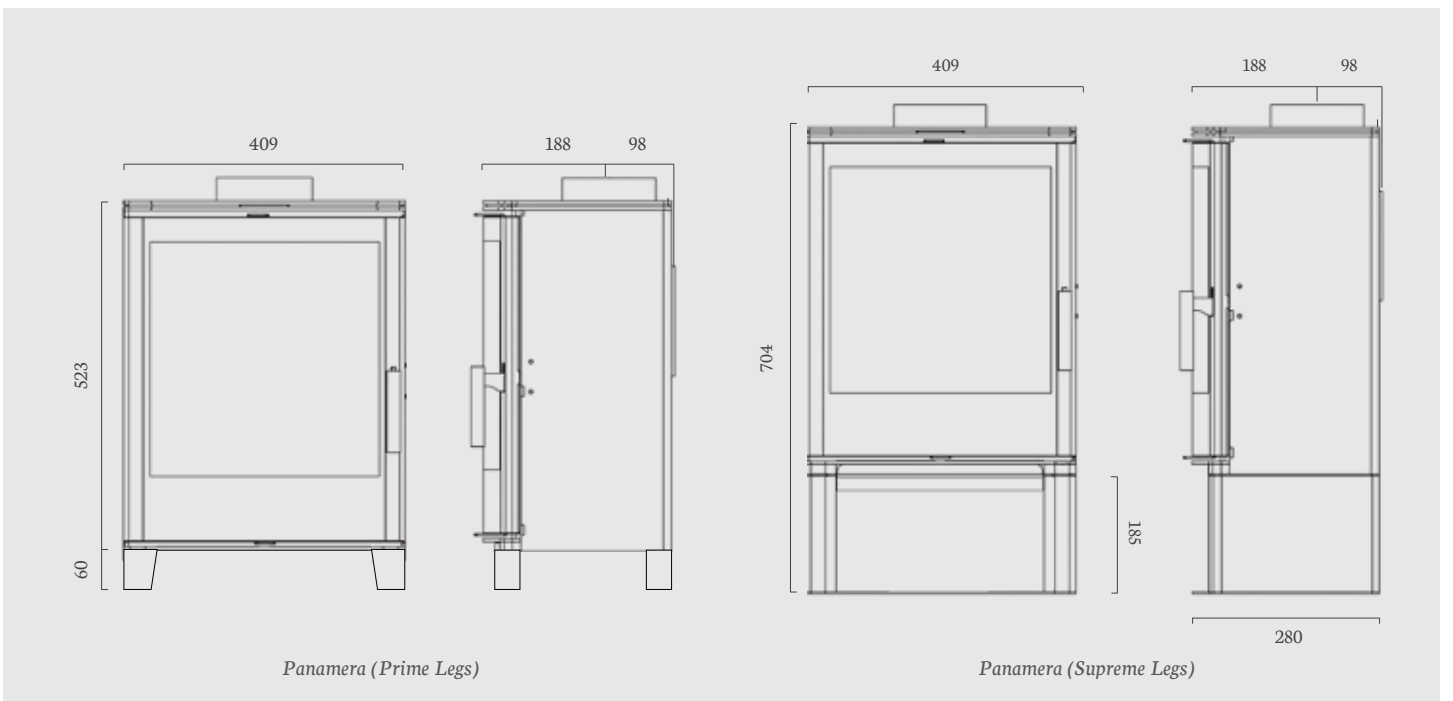
lifetime  
warranty







Panamera Eco with Supreme Leg Set





lifetime  
warranty



Savona with a 4 Sided Trim  
& Honed Granite Slips

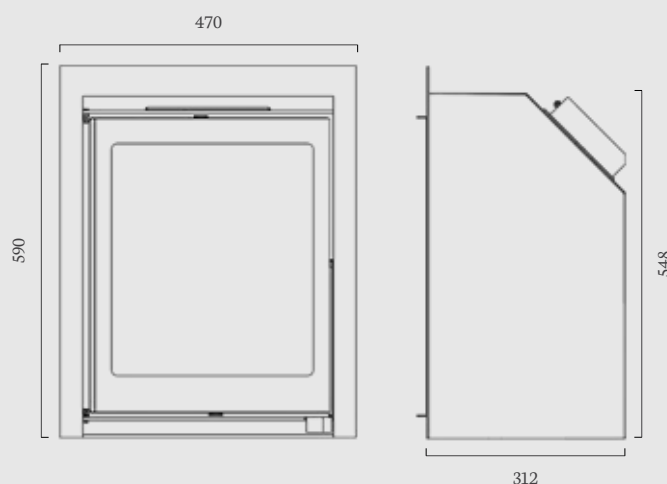


## Savona Eco Wood Only



The Savona Eco is a highly efficient, superior stove from our ECO 2022 stove range. DEFRA approved, the Savona Eco is constructed from steel for contemporary styling and efficient heating. Featuring a large glass picture window and airwash system, the Savona Eco is pictured to the left in the Wilbury 48" Portuguese Limestone mantel and is supported by the Capital Lifetime Warranty.

Nominal Heat Output & Range:	4.9kW
Efficiency:	Up to 84%
Flue Exit:	Angled
Flue Size:	125mm
Ventilation:	Not normally required (see page 63)
Suitable for a Light Duty Hearth:	No



*Minimum clearance to combustibles: Rear - back of chamber must be non-combustible. Sides - 600mm. Please refer to the installation instructions for more info.*



5 year warranty



**Hidden handle**  
option also available

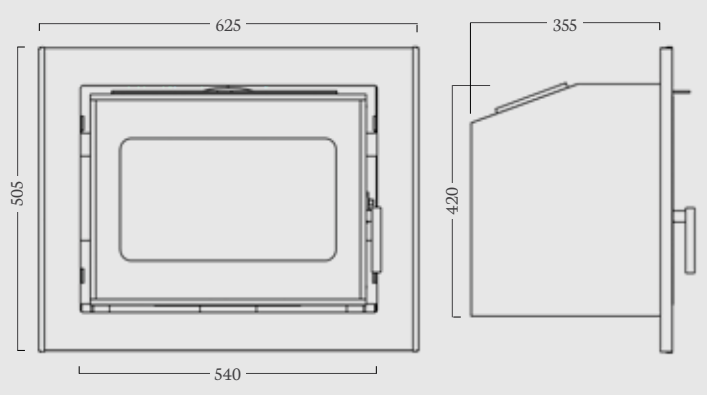


Ashbrook 5kW with steel trim and hidden handle

Ashbrook **Eco** 5kW Wood Only HETAS defra

Our Ashbrook Eco inset cassette stoves have been designed to create a stunning focal point in any room and are available with a black glass or steel trim complete with a cool touch handle. They meet the 2022 emission standards and incorporate the latest technology that ensures they burn fuel with superior efficiency. So, as well as the attractive contemporary design, the Ashbrook Eco 5kW cassette stove will mean lower fuel costs, as more heat is delivered into your room.

Nominal Heat Output:	4.7kW
Efficiency:	Up to 81.2%
Flue Exit:	Top
Flue Size:	125mm
Ventilation:	Not normally required (see page 63)



Dimensions include a 50mm 4 sided black glass or steel trim  
 Clearance to combustibles:  
 Back: 250mm, Sides: 200mm, Shelf: 800mm, Floor: 450mm  
 Please refer to the installation instructions for more info.



**2** year  
warranty







## Bassington Natural Gas or LPG

The Bassington Gas also features a large viewing window, providing the ultimate view of the flames, whilst you have the choice of a classic matt black finish or warm white gloss enamel finish.

With a heat output of 4.7kW the Bassington Gas delivers up to 79% efficiency making it a great option for small and medium sized rooms. A choice of two leg options are available, Standard and Skirted.

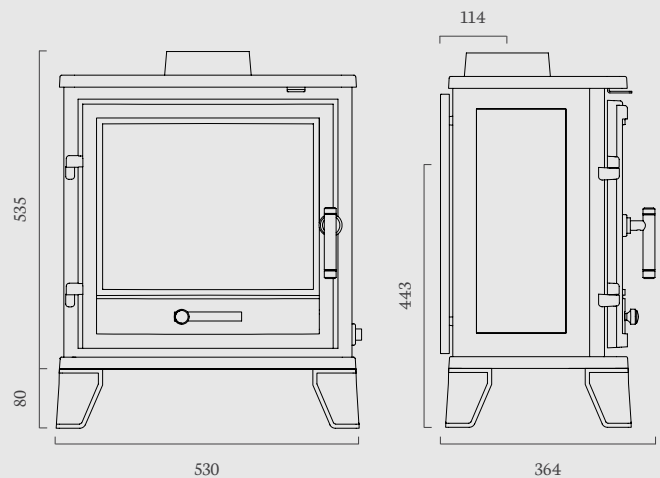
Nominal Heat Output & Range: 4.7kW / 4.4kW

Efficiency: Up to 79%

Flue Exit: Top

Flue Size: 125mm

Ventilation: Not normally required (see page 63)



Clearance to combustibles is 600mm, clearance to non-combustibles is 50mm.

Please refer to the installation instructions for more info.

## Vega BF/CF Natural Gas or LPG

The Vega Gas is a stunning, superior stove manufactured in high quality cast iron and available with the option of conventional flue (CF) or balanced flue (BF) for those without a chimney.

Suitable for a 12mm light duty hearth, the Vega Gas can be conveniently controlled from the comfort of your armchair and features a high definition ceramic log effect fuel bed creating a truly authentic look. Available with a standard up and out flue kit as an optional extra and pictured here with a Geocast 48" Classic ambient lit beam in Light Oak.

Output: High: 4.3kW / Low: 2.7kW

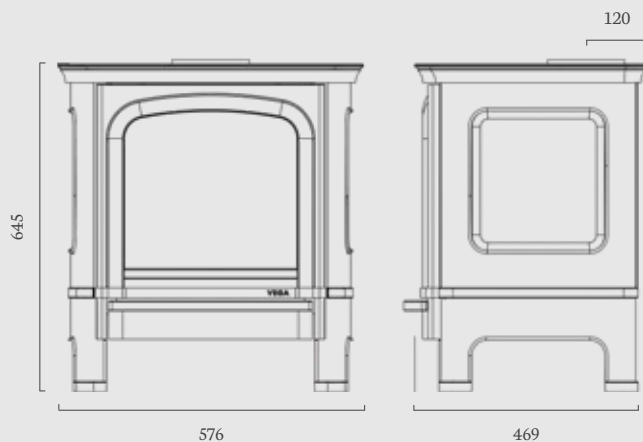
Efficiency: (BF) Up to 75% / (CF) Up to 69%

Flue Exit: Top

Flue Size: (BF) 150mm / (CF) 100mm

Ventilation: Not normally required (see page 63)

Suitable for a Light Duty Hearth: Yes



Clearance to combustibles is 280mm, clearance to non-combustibles is 75mm. Please refer to the installation instructions for more info.





  
remote  
available

**2** year  
warranty



**B** (BF)

**D** (CF)



**new**  
for 2022





16  
flame effect  
options

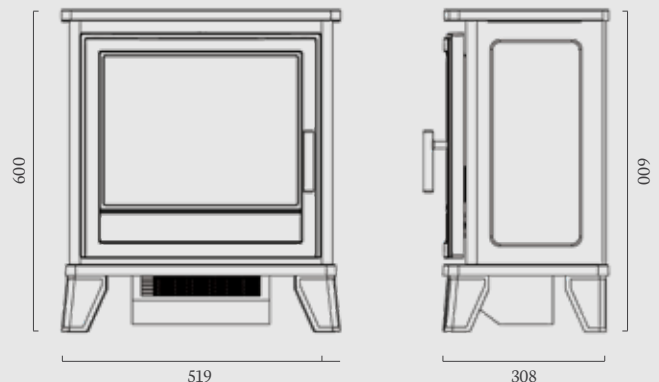


## Bassington etronic Electric Stove

The Bassington electric stove is designed to mimic a traditional log burner, forging a cosy and warm ambience within your living space. With its stunning flame patterns and realistic hand decorated loose log fuel bed, the Bassington electric stove is a great addition to any home. Paying homage to our number one best-selling multifuel stove, this electric version of our Bassington ECO allows homes without a chimney or gas supply to indulge in the enjoyment of having a stove. The Bassington electric stove provides a 1kW - 2kW heat output for a generous burst of heat into the room.

On mild summer evenings when you don't need additional heat, you can still enjoy the ambience of this stove by using the flame only setting. Featuring 4 brightness settings and 16 flame effect colours, this remote-control stove offers plenty of choice from the comfort of your sofa. Without the need for a chimney or flue, this versatile stove can be placed almost anywhere in the home. For added realism, the Bassington electric stove is supplied with a decorative flue spigot allowing the addition of flue pipe to suit your aesthetic requirements.

Output	1 & 2kw & Flame Effect Only
Controls:	Remote
Fuel Bed	Hand Decorated Individual Loose Logs
Flame Effect	16 Beautiful Options
Dimmer	Yes
7 Day Timer	Yes
Thermostat	Yes

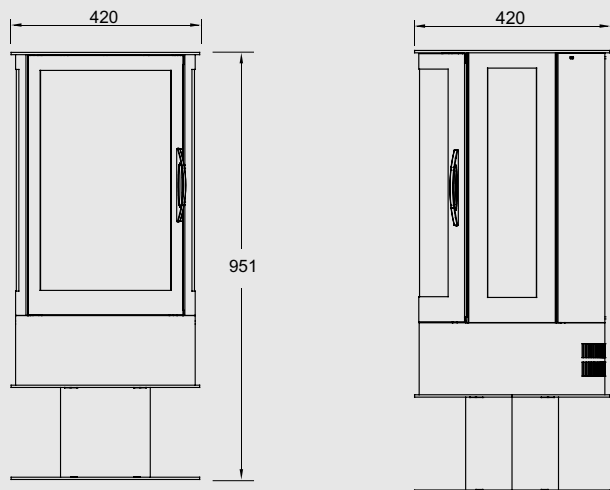


## SLE42s etronic 3D Electric Stove

The SLE42s incorporates a stylish cylindrical body with a pedestal base to give additional height and presence in your chosen room. This clever design allows the heater grill to be hidden under the stove body so you can enjoy the look of a sleek, contemporary stove without the unsightly heater grill. The three glass panels give an unparalleled view of the realistic **etronic 3D** flame effect which has been designed to create an incredibly realistic appearance of flickering flames, complete with a rustic log and embers fuel bed.

The adjustable flame setting gives you the option to select low, medium and high. Alternatively, the smouldering embers setting imitates the appearance of a fading fire for added ambience and realism. Flame settings can be run alongside the 900w or 1800w heat settings and effects can be adjusted using the thermostatic control with the convenience of a seven-day timer. Without the need for a chimney or flue, the SLE42s can be placed almost anywhere in the home. For added realism, a decorative flue spigot allows for the addition of a flue pipe to suit your aesthetic requirements.

Output	900w & 1800w Flame Effect Only
Controls:	Remote
Fuel Bed	Hand Decorated Fuel Bed
Flame Effect	Adjustable
Dimmer	Yes
7 Day Timer	Yes
Thermostat	Yes







A

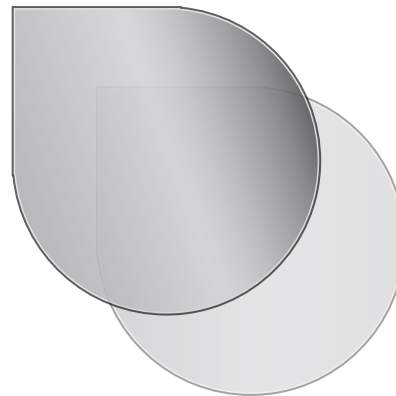
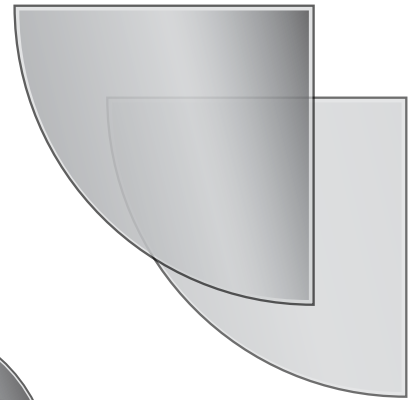




# LIGHT DUTY STOVE GLASS HEARTHES

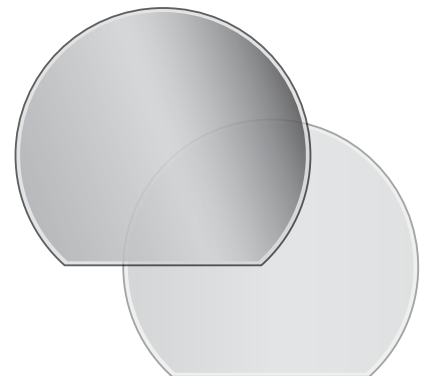
Our high quality, light duty 12mm thick tempered glass hearths are a contemporary alternative to complement our stove range, available in three shapes with an option of Smoked or Transparent finishes.

**¼ CIRCLE >**  
1200mm



**< TEAR DROP**  
1100mm x 1100mm

**TRUNCATED >**  
1100mm x 950mm



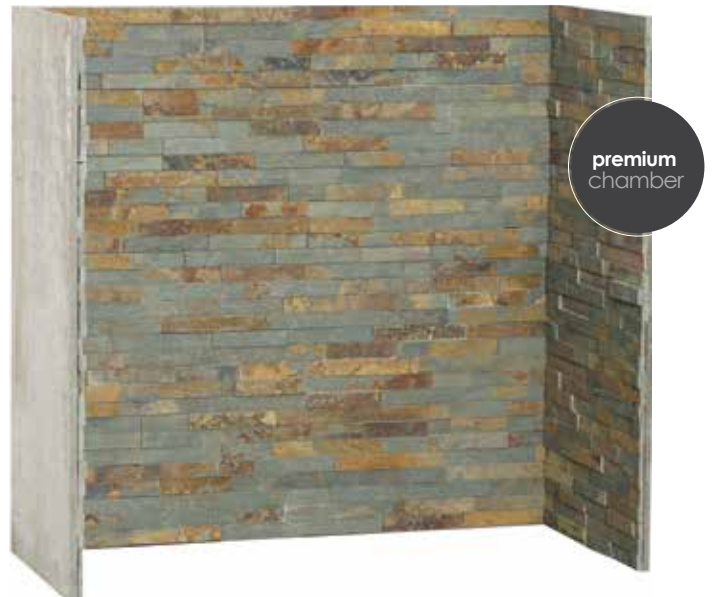




# SLATE & STONE CHAMBERS



RIVEN SLATE



RUSTY SLATE



CORINTHIAN STONE  
(MADE TO MEASURE NOT AVAILABLE)

## Made to Measure Chambers Available on Request

Slate Chamber Dimensions (mm): 1x (1015 w x 1000 h x 20-30 thick) 2x (450 w x 1000 h x 20-30 thick)

Minimum clearance distances apply, visit our website for instructions. Please note colours may vary.





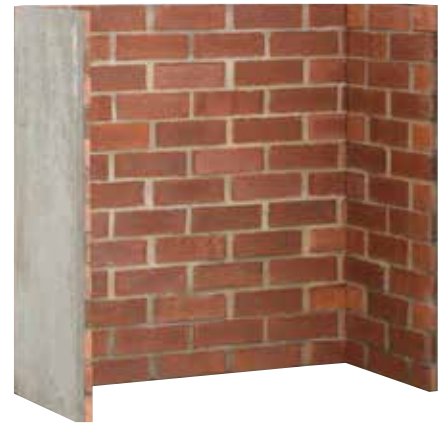
# BRICK CHAMBERS



POMPEII



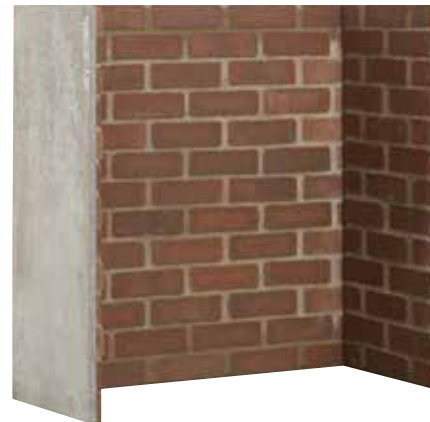
RUSTIC HERRINGBONE



COBBLED RED



RAINBOW



RUSTIC



RETURNS



RETURNS & ARCH

Brick Chamber Dimensions (mm):

1x (1015 w x 1000 h x 30 thick)

2x (450 w x 1000 h x 30 thick)

Arched Chamber (mm):

1x (1015 x 1000) 2x (450 x 850)

Arch: 1115 x 215

Brick Side Returns: 70mm thickness

Arch Height Opening: Max 810mm

Minimum clearance distances apply, visit our website for instructions.

Please note colours may vary.

# GEOCAST BEAMS

---

Our non-combustible Geocast Beams have been developed from a natural inorganic material. Whilst being non-toxic and unburnable, they are extremely durable and can be molded to achieve high definition.

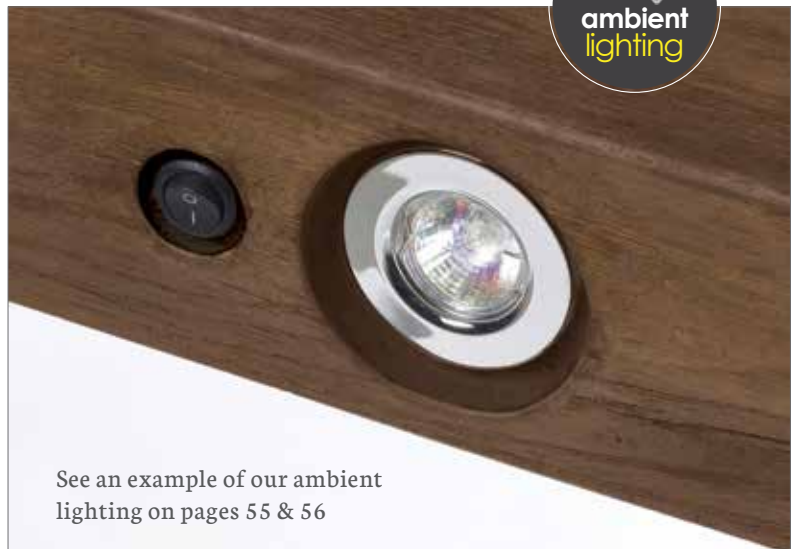
Although minimum clearance distances to the stove still apply, Geocast Beams allow that distance to be much closer than wood. Please refer to instructions on our website for further detail at [www.capitalfireplaces.co.uk/technical](http://www.capitalfireplaces.co.uk/technical)



## Ambient Lighting

Ambient lighting can also be supplied on our **48" and 54" classic beams** as an optional extra, that not only creates a warmer impression in your home, but also gives more focus to the fire.

The lighting kit can be operated separately to the stove, meaning you're able to maintain a cosy ambience with or without the stove being lit.



See an example of our ambient lighting on pages 55 & 56



Classic 42" Beam in Light Oak

*Available in sizes 42", 48" & 54"*





Heritage 48" Beam



*Available in sizes 42", 48" & 54"*

**Classic 48" Beam in Dark Oak**



Classic 54" Beam in Antique Oak





Contemporary 48" Stone Beam





Dark Oak

Rustic Beam Natural & Dark Oak

Available in 48" & 54"



# ACCESSORIES

---



**AVON**  
300 (H) 470 (L) 470 (W)



**VENETO MAXI**  
BROWN LEATHER EFFECT  
470 (H) x 500 (W)



**CLASSIC RECTANGULAR - BLACK**  
610 (H) x 540 (W)



**VENETO MINI**  
BROWN LEATHER EFFECT  
350 (H) x 450 (W)



**LOG MOISTURE METER**



**CARBON MONOXIDE ALARM**

# ACCESSORIES

---



**GRAPHITE HIGH-TEMP PAINT**  
FOR USE ON SIRIUS CAST IRON  
TRADITIONAL STOVES



**CHARCOAL HIGH-TEMP PAINT**  
FOR USE ON SIRIUS CONTEMPORARY  
STEEL STOVES



**GLASS CLEANER**  
320ml



**ATMOSFIRE**  
STOVE GLASS DRY WIPER



**STOVE FAN**



**BARLETTA BLACK OR SATIN STEEL**  
230 (L) x 100 (W)



**BLACK STOVE & GRATE POLISH**  
75g TUBE

# lifetime warranty

## CAPITAL MULTIFUEL STOVE LIFETIME WARRANTY

All Capital multi fuel and wood burning stoves are covered by a Lifetime Warranty, unless otherwise stated, for added peace of mind (valid for original purchases only) from date of sale. This Warranty excludes the following naturally wearing consumable items; door glass, firebricks, rope seals, baffle and grate (including riddling mechanism).

This Warranty also excludes the “warm white enamel” finish on any of our stoves. Enamel finish products are inherently susceptible to crazing and chipping in the normal wear and tear of the product life.

In addition, the following criteria must be met:

- ✓ Sight of the data plate that should have been fitted by the approved installer.
- ✓ Proof of installation by HETAS or other approved body, or letter from Building Control confirming that the installation was installed in accordance with the Building Regulations.
- ✓ Proof of purchase from one of our approved suppliers.
- ✓ Proof of annual sweeping of chimney, at which time an inspection as to the condition of both the chimney and the stove should be carried out to allow for necessary maintenance to be performed.
- ✓ Only dry/seasoned wood with moisture content of less than 20% or Anthracite has been used.

Capital Fireplaces Ltd will accept no responsibility for installations which have been carried out that are not in accordance to the Building Regulations or if the conditions stated in the manufacturer’s instructions are not adhered to. Warranty applies to parts only.

## IMPORTANT POINTS

Always read user instructions prior to initially using the stove.

We recommend burning kiln dried wood, this will give you up to twice the heat output of freshly felled timber and helps reduce tar build up in the flue.

Do not overload the stove at any one time.

Never burn household rubbish as this can give off harmful gasses and will reduce the performance of the stove.

## CAPITAL GAS STOVES WARRANTY

We offer a 2 Year Warranty for the Bassington & Vega BF/CF Gas Stoves. Subject to conditions, for further details please visit; [www.capitalfireplaces.co.uk](http://www.capitalfireplaces.co.uk)



# technical information

## STOVE VENTILATION

**Houses built before 2008:** Houses built before 2008 are likely to have an air permeability greater than  $5\text{m}^3/\text{h.m}^2$  so stoves with an output below 5kW do not require an air vent. However, stoves with outputs above 5kW require a permanently open vent. So for each kW of output above 5kW allow  $550\text{mm}^2$  of air supply. Extensive renovation of an older property carried out after 2008 may reduce the air permeability to less than  $5\text{m}^3$ , in which case the guidance for houses built after 2008 should be followed. Chimneys with flue stabilisers are subject to different ventilation requirements.

**Houses built after 2008:** Houses built after 2008 with an air permeability of less than  $5\text{m}^3/\text{h.m}^2$  require the air supply to be calculated for the whole of the stove's rated output. This means that the installation of stoves with an output of less than 5kW must now have a permanently open air vent. Allow  $550\text{mm}^2$  of air supply for each kilowatt of rated output. Seek advice from your retailer and building regulator.

## THE BURNING IN PERIOD

All Capital Stoves are manufactured from cast iron or steel therefore it is vital that appliances undergo a period of "burning in", this involves small fires initially, gradually increasing in size with each firing. When purchasing a stove, please remember to adhere to the following important points; always read user instructions prior to initially using the stove, burn only anthracite or kiln dried wood as this will give you up to twice the heat output and help reduce tar build up in the flue, never burn household waste and do not overload the stove at any one time.

**Misplaced your Capital Stove manual?** No problem, digital copies can be found on our website at [www.capitalfireplaces.co.uk/technical-information](http://www.capitalfireplaces.co.uk/technical-information)

Capital Fireplaces Ltd reserve the right to change specification or de-list products at any time. Due to the nature of the materials and appliances used within this brochure, actual finishes and colours may vary slightly. Flames shown may also vary depending on gas type, fuel quality and the performance of the flue or chimney, images in this brochure are for illustration purposes only.

## CLEANBURN STOVES

To burn fuel in a smoke controlled area the law determines that either the fuel should be smokeless or the appliance should be approved by DEFRA (Department of the Environment, Fisheries and Rural Affairs) normally these appliances are approved by DEFRA for burning kiln dried wood. Some of our DEFRA approved products are capable of burning both kiln dried wood and anthracite in smoke control areas, a dual fuel use that most cleanburn products cannot offer.

All Capital Stoves are CE approved to EN13240.

Please note many of the flue pipes shown in this brochure have been sprayed with one of Capital Fireplaces high temperature paints to match the finish of the stove.

## CHOOSING THE RIGHT FUEL

Please note choosing the right fuel for your stove or fireplace is vital to ensure a lifetime of enjoyable, trouble-free use. To burn fuel in a smoke controlled area, the law determines the fuel should be smokeless or the appliance should be approved by DEFRA. Therefore we would only recommend burning kiln dried wood or anthracite, any other fuel or objects such as household waste will produce harmful gasses subsequently reducing the performance of your appliance.

CAPITAL  
— STOVES —

*[www.capitalfireplaces.co.uk](http://www.capitalfireplaces.co.uk)*